

FIREPLACE
XTRORDINAIR



The Right Fireplace Company For You

"For forty years, we have been passionate about the science and art behind making beautiful fireplaces for homes in North America. We utilize the finest materials and subject them to vigorous testing standards to make a fireplace that stands up to the rigors of time.

Fireplace Xtrordinair® fireplaces are the best money can buy. We have a worldwide reputation for award-winning innovations in fireplace design, and yet the most significant recognition to me is when a family entrusts us to be their fireplace of choice.

Take your time, enjoy looking through this catalog and keep the home fires burning."



Kurt W. F. Rumens
Kurt W. F. Rumens,
President & Director of Product Design
Travis Industries, House of Fire

The ProBuilder 54 Deluxe is shown with
Black Glass Fireback, Platinum Glass Media,
and Birch Log Fyre-Art.™



The Perfect Balance of Beauty and Function

The ProBuilder Series™ of Linear Gas Fireplaces are the perfect choice for anyone seeking a beautiful, reliable and economical way to heat their home. With the ProBuilder Series™, you get more heat for less; that's more features and benefits than any other value-priced linear gas fireplace available, plus heavy duty construction and quality craftsmanship to ensure years of dependable warmth.

The ProBuilder Series™ features three linear fireplace sizes. Each size is available in your choice of Millivolt (MV), GreenSmart® Basic (GSB), or Deluxe fully-loaded models, allowing you to choose the fireplace best suited for your individual taste and lifestyle.

ProBuilder Linear MV (42 and 54 Models Sold Out For 2021)

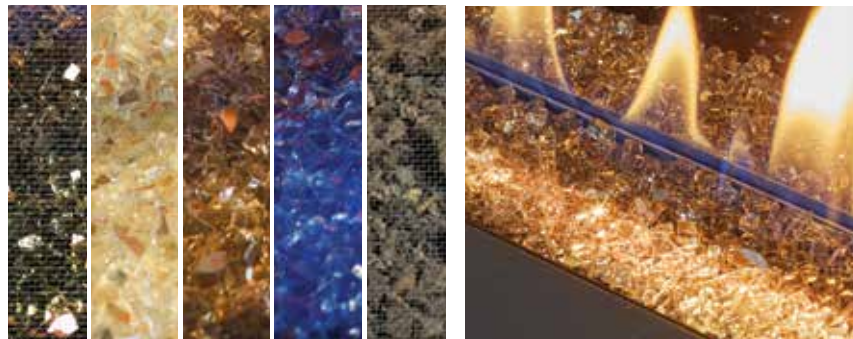
The Millivolt (MV) models feature a Continuous Pilot system where the pilot flame stays lit at all times. These models are a great choice for anyone who desires a simple heat source that does not require power for installation and operation.

ProBuilder Linear GSB

The GreenSmart® Basic (GSB) models are an excellent energy-efficient choice. These models conserve fuel with a GreenSmart® pilot system that automatically lights the fireplace when heat is called for, and turns off the fireplace (including the pilot) when no heat is needed.

ProBuilder Linear Deluxe

The fully-loaded Deluxe models include the GreenSmart® Remote, adjustable Under Lighting and Variable speed 180 CFM Fan.



Choose between Black, Platinum, Bronze & Cobalt Glass or Rock Ember Media

Then add the optional Under-Lit Accent Lights

Cover Image: The ProBuilder 72 Deluxe is shown with Black Glass Fireback, Bronze Glass Media, Under-Lit Accent Lights and Tumbled Stone Fyre-Art™.



The ProBuilder 72 is shown with Black Glass Media and Driftwood and Stone Fyre-Art™.



42" Linear Gas Fireplace **Urban Artistry**

The ProBuilder 42 Linear is the smallest fireplace in the lineup, featuring 42" wide by 15" tall glass. This model is ideal for living spaces such as bedrooms or family rooms. The tall dancing flames will enchant, while the tranquility of the Tumbled Stone Fyre-Art™ relaxes and soothes. The Polished Gray Concrete Mantel from our Custom Shop further complements the room's dynamic. Find more inspiring options on pages 12 and 13.

- Heating Capacity*: Up to 1,250 Sq. Ft.
- BTU/Hr. Input (NG/LP): 13,000 to 25,000 (50% turndown)
- P4 Efficiency: MV: **SOLD OUT FOR 2021**
GSB: 65.74% (NG) 66.88% (LP)
Deluxe: 65.74% (NG) 66.88% (LP)
- Steady State Efficiency Up to 76.11% (NG) Up to 77.31% (LP)
- Weight: 165 lbs. (75 kg).
- Viewing Area: Tempered Glass - 40-3/4" W x 13-3/4" T

**Heating capacity will vary with floor plan, insulation, and outside temperature.*

The ProBuilder 42 Deluxe is shown with Bronze Glass Media, standard Under-lit Accent Lights, Tumbled Stone Fyre-Art™ and the Custom Shop Polished Gray Concrete Mantel.

54" Linear Gas Fireplace Natural Wonder

The ProBuilder 54 Linear is perfect for mid-size to larger entertaining spaces with its 54" wide by 15" tall glass. The relaxing yellow flames will complement a large variety of styles. Keep it contemporary or add the earthy Driftwood & Stones Fyre-Art™ kit to enhance your rooms ambience. Find more inspiring options on pages 12 and 13.

- Heating Capacity*: Up to 1,650 Sq. Ft.
- BTU/Hr Input (NG/LP): 17,000 to 33,000 (50% turndown)
- P4 Efficiency:
 - MV: **SOLD OUT FOR 2021**
 - GSB: 65.93% (NG) 67.07% (LP)
 - Deluxe: 65.93% (NG) 67.07% (LP)
- Steady State Efficiency: Up to 67.25% (NG) Up to 76.02% (LP)
- Weight: 210 lbs. (95 kg).
- Viewing Area: Tempered Glass - 52-3/4" W x 13-3/4" T

**Heating capacity will vary with floor plan, insulation, and outside temperature*



The ProBuilder 54 Deluxe is shown with Black Glass Fire-back, Black Glass Media and Driftwood Fyre-Art.™



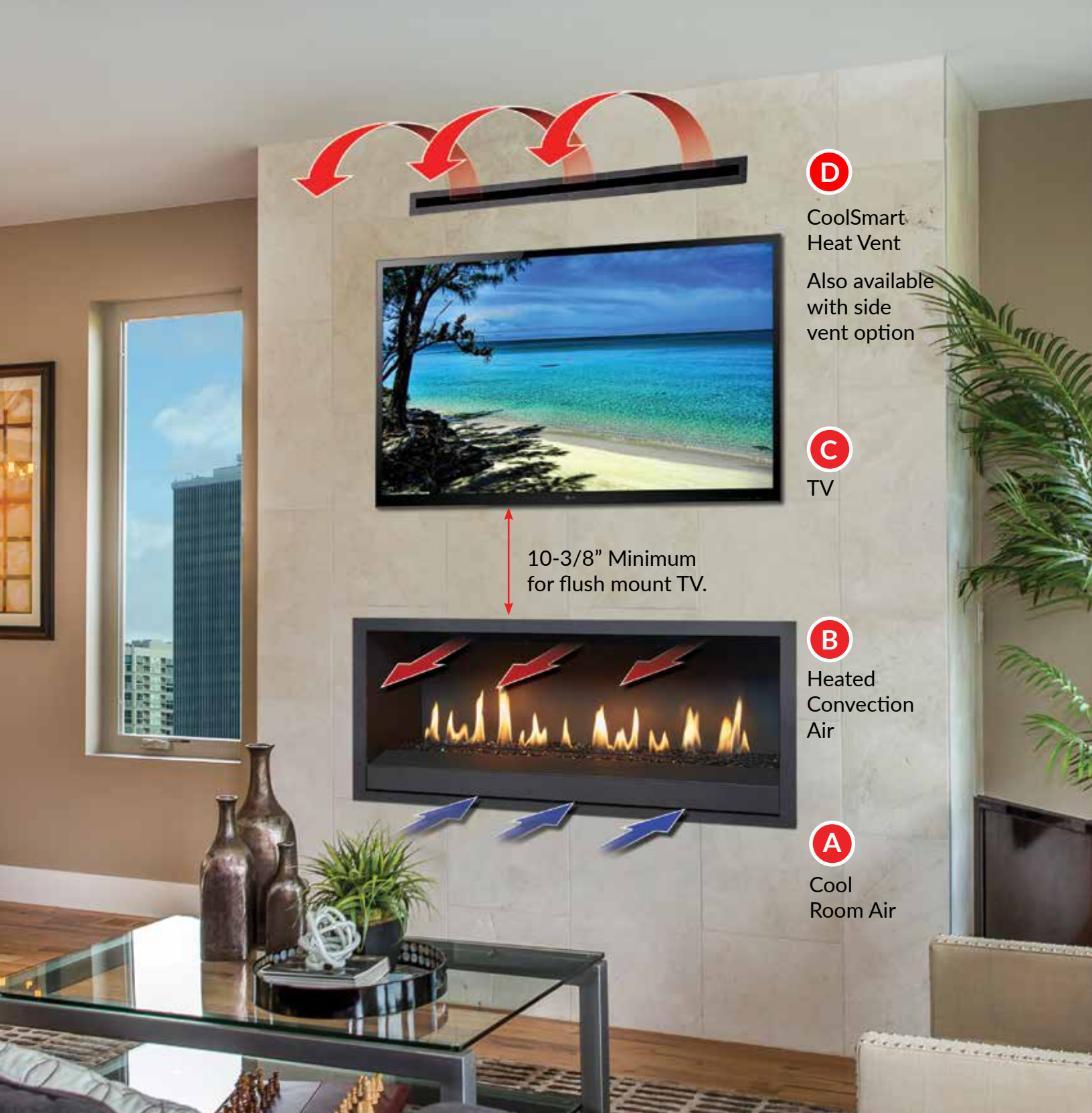
72" Linear Gas Fireplace **Boldly Understated**

Large spaces and rooms ready for a dynamic statement are perfectly suited for the impressive ProBuilder 72 Linear. It's long lines, refined aesthetics and massive 72" wide x 15" tall glass size exemplify modern luxury at an affordable price tag. Find inspiring options for the ProBuilder 72 Linear on pages 12 and 13.

- Heating Capacity*: Up to 2,250 Sq. Ft.
- BTU/Hr. Input (NG/LP): 23,000 to 45,000 (50% turndown)
- P4 Efficiency:
 - MV: 67.39% (NG) 65.73% (LP)
 - GSB: 68% (NG) 66.23% (LP)
 - Deluxe: 68% (NG) 66.23% (LP)
- Steady State Efficiency: Up to 73.34 (NG) Up to 75.80 (LP)
- Weight: 275 lbs. (125 kg).
- Viewing Area: Tempered Glass - 70-3/4" W x 13-3/4" T

**Heating capacity will vary with floor plan, insulation, and outside temperature.*

The ProBuilder 72 is shown with Bronze Media, Tumbled Stone Fyre-Art™ and optional Under-Lit Accent Lights



D

CoolSmart Heat Vent

Also available with side vent option

C

TV

10-3/8" Minimum for flush mount TV.

B

Heated Convection Air

A

Cool Room Air

CoolSmart TV Wall™

- (A)** Cool room air is naturally pulled into the bottom of the convection chamber surrounding the firebox.
- (B)** If the convection fan is turned on, a major portion of the heated air is returned to the room above the fireviewing glass.
- (C)** The CoolSmart TV Wall™ allows a TV to be safely installed above the fireplace (minimum distance above fireplace of 10-3/8", 13-3/8" with TV pocket).
- (D)** If there is no convection fan, or if the fan is turned off, cool room air **(A)** and the majority of the heated convection air **(B)** are naturally drawn up through the CoolSmart Heat Vent **(D)** and returned to the room above the TV.

OPTIONAL ACCESSORIES



Tumbled Stone Fyre-Art™



Driftwood & Stones Fyre-Art™



Driftwood Fyre-Art™



Traditional Logs Fyre-Art™



Birch Fyre-Art™



**DESIGN MY FIRE
BE YOUR OWN DESIGNER**

With our New & Enhanced Designer My Fire Web App

Visit our website at **FIREPLACEX.COM**



High Gloss Black Glass Fireback



LedgeStone Fireback

Basic GreenSmart® Wireless Thermostat Remote Control



Manual Setting
ON/OFF controls.

Thermostat Setting
Fireplace turns ON/OFF to maintain your desired home/room temperature.

Convection Fan

Variable speed 180 CFM* Fan helps increase the natural convection of heated air into the room as it circulates around the firebox and glass frame. Fan is manually controlled by a rheostat.

* Cubic Feet Per Minute

Wired Wall Timer

Countdown wall timer allows you to set the shut off time of your fireplace in 30 minute increments with two hour maximum time limit. Ideal for rentals, apartments, and commercial applications.



Power Exhaust Vent

The Power Exhaust Vent allows you to install these gas fireplaces virtually any-where in your home, by accommodating even the most difficult venting restrictions. *This option requires electricity to operate your fireplace.*

42 MV and 54 MV FIREPLACES
SOLD OUT FOR 2021



ProBuilder Linear MV Models

No power required to install and operate.

Standard Features

- Millivolt Continuous Pilot with Piezo Igniter
- No Power Required - Batteries are required with optional remote. 110 V power is required with optional Fan or Accent Light.
- ON/OFF Wall Switch
- Easy Access Controls



Access controls are below fireviewing glass. Contains Pilot Control, Flame Height Adjustment, Piezo Igniter and Burner ON/OFF.

ProBuilder Linear GSB Models

Features an economical electronic ignition system.

Standard Features

- Continuous Pilot or Basic GreenSmart® Ignition Modes
- 110 V Power Required, Built-in Automatic Battery Backup
- ON/OFF Wall Switch
- Easy Access Controls



Access controls are below fireviewing glass. Contains Flame Height Adjustment, Choice of Continuous Pilot Mode or GreenSmart® Ignition Mode and Burner ON/OFF.

Optional Accessories for ProBuilder Clean Face MV & GSB Models

Basic GreenSmart® Wireless Thermostat Remote Control



Manual Setting

ON/OFF controls.

Thermostat Setting

Fireplace turns ON/OFF to maintain your desired home/room temperature.

Convection Fan

Variable speed 180 CFM* fan helps increase the natural convection of heated air into the room as it circulates around the firebox and glass frame. The fan speed is manually controlled by a rheostat dial.

*Cubic Feet Per Minute

Wired Wall Timer

The wired wall timer allows you to set the shut off time of your fireplace in 30 minute increments with a two hour maximum time limit. Ideal for rentals, apartments, and commercial applications.

Accent Lights

Accent Lights are an optional feature in the MV and GSB fireplaces. This feature adds a warm glow below the glass floor media and can be used when the fire is on or off.



ProBuilder Linear Deluxe Models

Includes a combination of incredible exclusive features.

Standard Features

- Continuous Pilot or GreenSmart® Ignition Modes
- 110 V Power Required, Built-in Automatic Battery Backup
- All Functions Are Controlled From the GreenSmart® Remote
- Under-lit Accent Lighting
- 180 CFM Variable Speed Convection Fan

Standard GreenSmart® Multi-Function Wireless Thermostat Remote Control



- Manual
- Thermostat and Smart Thermostat Modes
- Flame Adjustment (6 Levels)
- Change Between GreenSmart® and Continuous Pilot Modes
- Fan Operation
- Underlit Accent Light

GreenSmart® Multi-Function Controls



Three Ways To Operate

Manual

ON/OFF and all other features.

Thermostat

Fireplace turns ON or OFF to maintain your desired home/room temperature.

Smart Thermostat

Fire height will adjust automatically (up, down or OFF) to maintain your temperature while allowing you to view the fire more often. A greener way to heat.



Flame Adjustment

Adjust the height/heat of the flame. 6 levels of flame heights to choose from in manual mode.



Convection Fan

Circulate room air around the firebox and deliver heated air into your home. Six speeds to choose from.



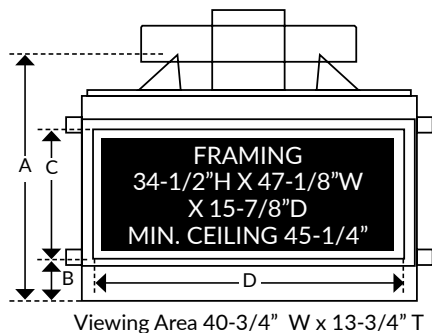
Accent Lights

Accent Lights are a standard feature in all Deluxe fireplaces. This feature adds a warm glow below the glass floor media and can be used when the fire is on or off.

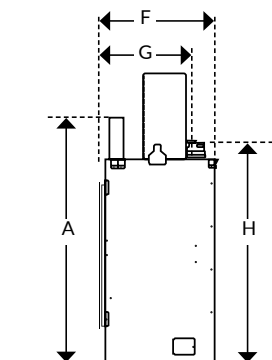
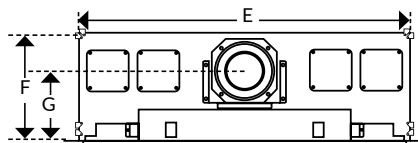
INSTALLATION without CoolSmart TV Wall™ Kit Option

NOTE: ALWAYS REFER TO THE PRODUCT OWNER'S MANUAL FOR COMPLETE INSTALLATION INSTRUCTIONS. FAILURE TO DO SO CAN RESULT IN VOIDING OF THE WARRANTY AND PRESENT A POTENTIAL SAFETY HAZARD! MANUAL CAN BE FOUND AT WWW.FIREPLACEX.COM

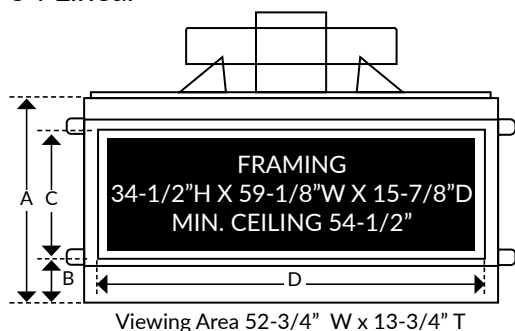
42 Linear



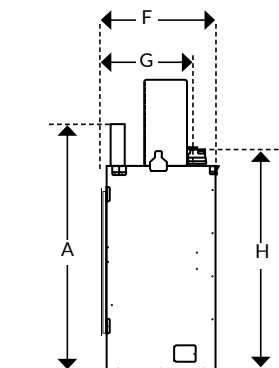
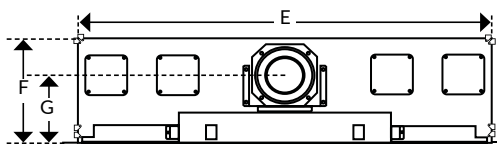
- A - 34-1/2"(877 mm)
- B - 4-7/8"(124 mm)
- C - 20-1/2"(521 mm)
- D - 45-3/4"(1163 mm)
- E - 47-1/8"(1197 mm)
- F - 15-7/8"(404 mm)
- G - 9-3/4"(248 mm)
- H - 31" (788 mm)



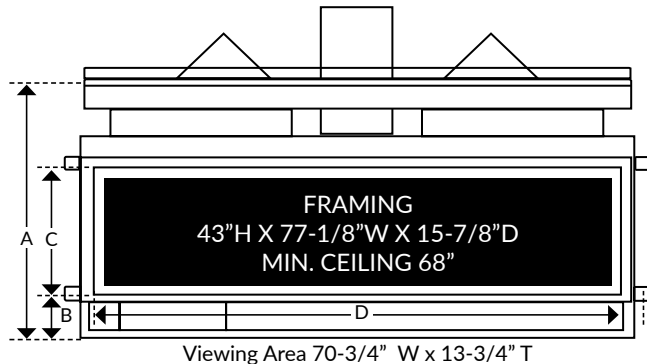
54 Linear



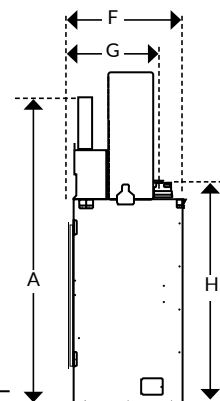
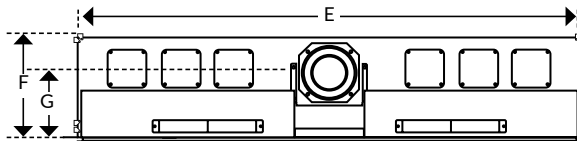
- A - 34-1/2"(877 mm)
- B - 4-7/8"(124 mm)
- C - 20-1/2"(521 mm)
- D - 57-3/4"(1467 mm)
- E - 59-1/8"(1502 mm)
- F - 15-7/8"(404 mm)
- G - 9-3/4"(248 mm)
- H - 31" (788 mm)



72 Linear



- A - 43"(1092 mm)
- B - 4-7/8"(124 mm)
- C - 20-1/2"(521 mm)
- D - 75-3/4"(1924 mm)
- E - 77-1/8"(1959 mm)
- F - 15-7/8"(404 mm)
- G - 9-3/4"(248 mm)
- H - 31" (788 mm)



Warranty

Your gas fireplace is backed by a network of Specialty Hearth Dealers and certified factory trained installers. Fireplace Xtrordinair® warrants our products to be free from defects in material and workmanship for a period up to seven years from the date of purchase. All parts, electronics (except light bulbs), and labor are covered for a full two years. Trims are covered for a period of two years. No other manufacturer's warranty can compare.

Tested and List by Omni-Test Laboratories, Inc. Portland, Oregon to ANSI Z21.88-2016 CSA 2.33-2016



Manufactured by Travis Industries, Inc.
Mukilteo, WA

See our complete line of fireplaces
online: fireplacex.com

