

DISTINCTION / PROUDLY HANDCRAFTED IN NORTH AMERICA



**Features**

Compatible with the Cool Wall Advantage kit

Certain size models meet requirements for efficiency rebates

# DISTINCTION UNCOMPROMISING

MULTI SIDED

**DISTINCTION FULL LOAD CONTEMPORARY**

D3615ST  
D4815ST  
D6315ST  
D7215ST

SEE THROUGH DIRECT VENT

**Standard**

Concealed burner with Ice fireglass

Multi-function remote control

Remote Hi-Lo flame control<sup>†</sup>

Micro mesh screen

Black reflective glass

Multicolor LED uplighting

Battery backup

**Options**

Cool Wall Advantage

Propane conversion kit

Adjustable trim kit

Fluted liners

WiFi phone app control

**QUICK DIMENSIONS**

	D3615ST		D4815ST		D6315ST		D7215ST	
	UNIT	FRAM.	UNIT	FRAM.	UNIT	FRAM.	UNIT	FRAM.
WIDTH	51 <sup>7</sup> / <sub>8</sub>	59 <sup>3</sup> / <sub>4</sub>	63 <sup>7</sup> / <sub>8</sub>	71 <sup>3</sup> / <sub>4</sub>	72 <sup>7</sup> / <sub>8</sub>	79 <sup>1</sup> / <sub>2</sub>	87 <sup>7</sup> / <sub>8</sub>	95 <sup>3</sup> / <sub>4</sub>
HEIGHT	41	49 <sup>15</sup> / <sub>16</sub>	41	49 <sup>15</sup> / <sub>16</sub>	33 <sup>3</sup> / <sub>16</sub>	50 <sup>3</sup> / <sub>8</sub>	41	59 <sup>3</sup> / <sub>8</sub>
DEPTH	17 <sup>3</sup> / <sub>4</sub>	17 <sup>11</sup> / <sub>16</sub>	17 <sup>3</sup> / <sub>8</sub>	17 <sup>11</sup> / <sub>16</sub>	18 <sup>1</sup> / <sub>2</sub>	18	17 <sup>3</sup> / <sub>4</sub>	17 <sup>11</sup> / <sub>16</sub>
VIEWING	36 x 15 <sup>1</sup> / <sub>2</sub>		48 x 15 <sup>1</sup> / <sub>2</sub>		63 x 14		73 <sup>7</sup> / <sub>8</sub> x 15 <sup>1</sup> / <sub>2</sub>	

<sup>†</sup>30% turndown, 50% turndown for D6315

**BTU LISTING**

D3615\*STI-2 / 35,000  
D4815\*STI-2 / 40,000  
D6315\*STI-2 / 50,000  
D7215\*STI-2 / 57,000

**EFFICIENCY P.4. 1-15**

D3615STNI-2 / 71.96%  
D3615STLI-2 / 70.48%

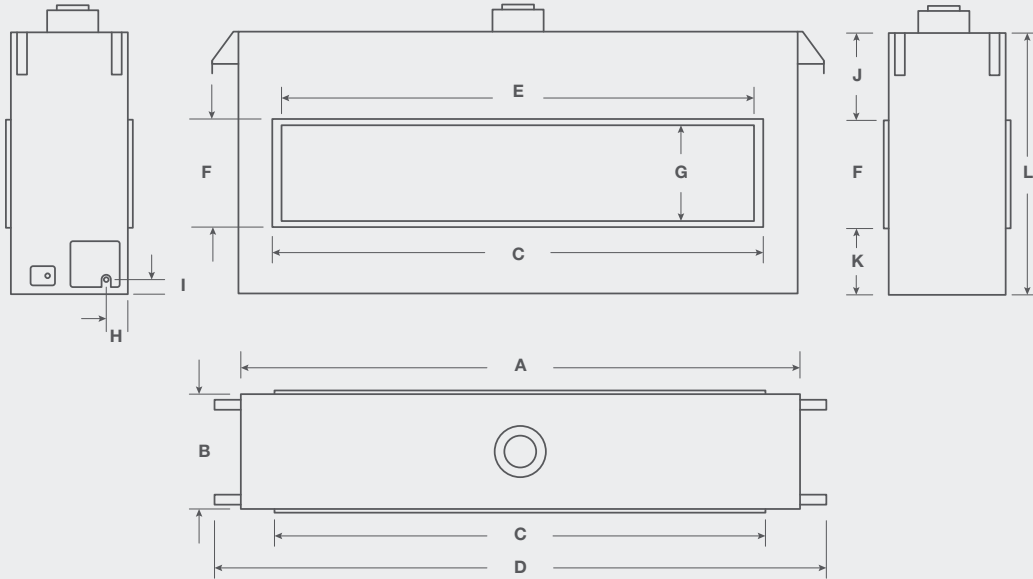
D4815STNI-2 / 77.49%  
D4815STLI-2 / 76.58%

D6315STNI-2 / 62.69%  
D6315STLI-2 / 60.49%

D7215STNI-2 / 73.86%  
D7215STLI-2 / 74.54%



## DISTINCTION DIMENSIONS



	A	B	C	D	E	F	G	H	I	J	K	L
D36ST	51 $\frac{7}{8}$	17 $\frac{3}{8}$	40 $\frac{3}{4}$	59 $\frac{3}{4}$	37 $\frac{7}{8}$	17	15 $\frac{1}{2}$	5 $\frac{1}{2}$	2 $\frac{3}{8}$	13 $\frac{3}{8}$	10 $\frac{3}{8}$	41
D48ST	63 $\frac{7}{8}$	17 $\frac{3}{8}$	52 $\frac{1}{4}$	71 $\frac{3}{4}$	49 $\frac{7}{8}$	17	15 $\frac{1}{2}$	5 $\frac{1}{2}$	2 $\frac{3}{8}$	13 $\frac{3}{8}$	10 $\frac{3}{8}$	41
D63ST	72 $\frac{7}{8}$	18 $\frac{1}{4}$	65 $\frac{1}{4}$	79 $\frac{1}{2}$	64 $\frac{1}{8}$	16 $\frac{1}{8}$	15 $\frac{5}{8}$	7	2 $\frac{1}{2}$	6	10 $\frac{7}{8}$	33 $\frac{3}{8}$
D72ST	87 $\frac{7}{8}$	17 $\frac{3}{8}$	76 $\frac{3}{4}$	95 $\frac{1}{4}$	73 $\frac{3}{8}$	17	15 $\frac{1}{2}$	5 $\frac{1}{2}$	2 $\frac{3}{8}$	13 $\frac{3}{8}$	10 $\frac{3}{8}$	41



MONTIGO / DISTINCTION / D6315ST / ICE FIREGLASS



MONTIGO / DISTINCTION / D4815ST / ICE FIREGLASS



REMOTE<sup>+</sup>  
RX200\*\*



WALL REMOTE  
EC1550



WIFI PHONE APP  
CONTROL  
SIT-WIFI<sup>†</sup>



TRIM KIT<sup>†</sup>  
DT\*\*

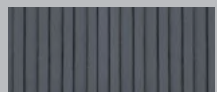


UPLIGHTING<sup>+</sup>  
MCLEDDL63

<sup>†</sup>Standard on Distinction units

OPTIONS &  
FEATURES

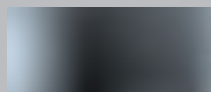
LINERS



ASH FLUTED  
DBK\*\*AF



TUSCAN FLUTED  
DBK\*\*TF



BLACK GLASS<sup>+</sup>  
RBGD63

**HOW IT WORKS**

Heat is pulled by natural convection through a series of 5" flex vents attached to the top of the fireplace. The heat is then discharged through a TV plenum, horizontal, or vertical, sidewall kit. By routing excess heat this way, we can reduce the temperatures that may damage artwork or electronics mounted above your fireplace.



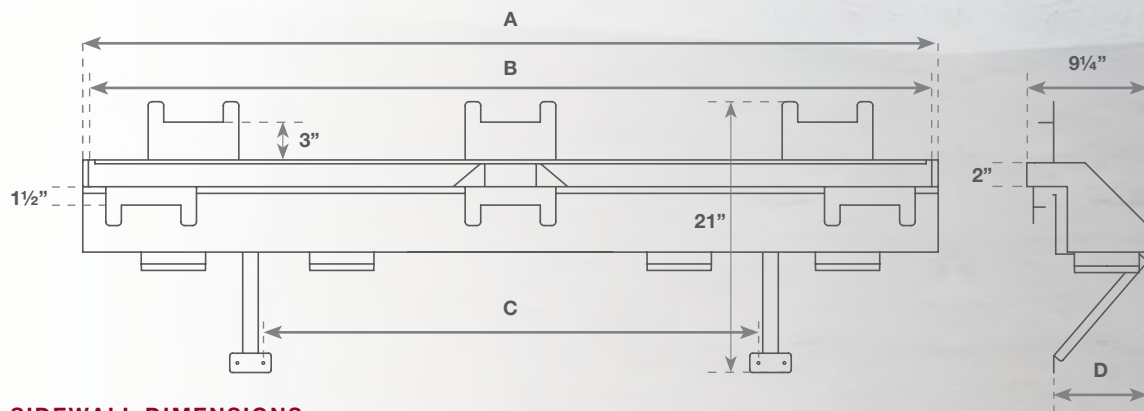
# Cool Wall Advantage

## Diverting heat away from the wall, keeping your TV or artwork safe

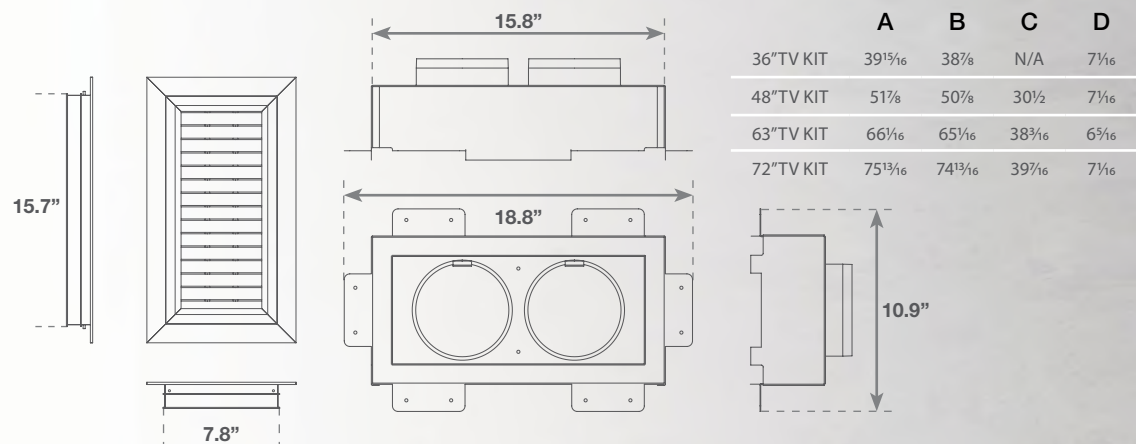
As heater rated fireplaces, the Distinction Series produces a generous amount of heat that requires the chase to be vented. The most elegant and efficient way to do this is with the Montigo Cool Wall Advantage system.

Cool Wall Advantage TV and sidewall kit plenums are finished with aluminum and are ready to match any interior with your choice of high temperature paint.

**COOL WALL KIT DIMENSIONS**



**SIDEWALL DIMENSIONS**





## OTHER CONSIDERATIONS

Designed not only for protecting art and electronics, delicate facing materials such as marble and granite benefit from the lower surface temperatures generated from a Cool Wall Advantage Kit.

Image shown is for example purposes only, please refer to your installation manual for recommendations on framing, recesses and surface temperatures.

### Sidewall kits include

2 Louvers

2 Plenums

Collars

Requires flex venting

### SIDEWALL KIT CODES

HORIZONTAL WALL KIT / HDKSD

VERTICAL WALL KIT / HDKSVD

### TV kits include

Louver

Plenum

Collars

Requires flex venting

### TV KIT CODES

36" WALL KIT / HDKPD36

48" WALL KIT / HDKPD48

63" WALL KIT / HDKPD63

72" WALL KIT / HDKPD72

### 190°F / 87°C Heat Vent

Heat is diverted through the Cool Wall Advantage kit, safely bypassing the space above the fireplace.

### 100°F / 38°C Cool Wall\*

Wall temperature is cool, creating an area safer for mounting a TV, or hanging artwork.

### 550°F / 287°C Glass\*

Reduced glass temperature, combined with the provided screen creates a safe viewing area.

\* 100°F / 38°C temperature taken at 30" above fireplace opening

\* Subject to measurement technique or fireplace/vent setup

# Unit Specifications

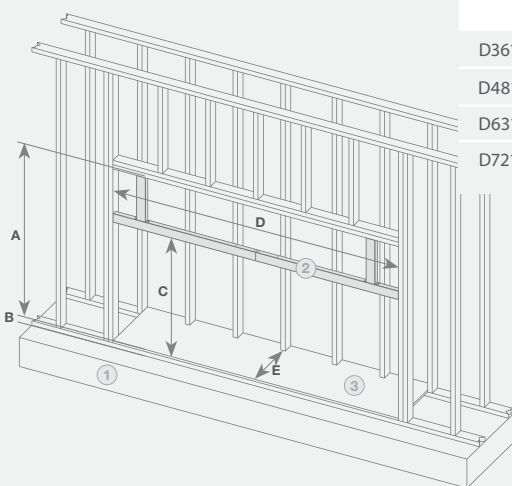
## ICON LEGEND

AVAILABLE	+	NOT AVAILABLE	-
DEDICATED	◊	STANDARD	◦

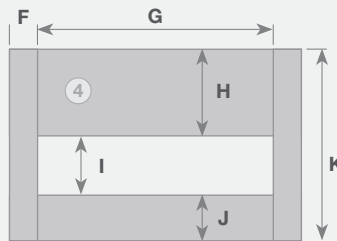
	BTU NATURAL GAS	BTU LIQUID PROPANE	GAS SUPPLY PRESSURE NG (SHOWN IN W.C.)		GAS SUPPLY PRESSURE LP (SHOWN IN W.C.)		VENTING	CLEARANCE SIDES	CLEARANCE BACK	CLEARANCE FLOOR	FRONT VIEWING AREA	FRONT GLASS TYPE	STANDARD MEDIA	POWERVENT	REMOTE CONTROL	FANS	UPLIGHTING	DOWNLIGHTING
D3615*1-2	35,000	35,000	11	13.8	5"/8" <sup>na</sup>	4	1/2	0	36 X 14%	CERAMIC	HW1157	+	◦	◦	◦	-	-	
D4815*1-2	40,000	40,000	11	13.8	5"/8" <sup>na</sup>	4	1/2	0	48 X 14%	BOROSILICATE	HW1157	+	◦	◦	◦	-	-	
D6315*1-2	50,000	50,000	11	13.8	5"/8"	3 1/2	2	0	63 1/2 X 14	BOROSILICATE	HW1157	+	◦	◦	◦	-	-	
D7215*1-2	57,000	57,000	11	13.8	5"/8"	4	1/2	0	73 7/8 X 15 1/2	NEOCERAMIC	HW1157	+	◦	◦	◦	-	-	
D3615ST*1-2	35,000	35,000	11	13.8	5"/8" <sup>na</sup>	4	1/2	0	36 X 14%	CERAMIC	HW1157	+	◦	-	◦	-	-	
D4815ST*1-2	40,000	40,000	11	13.8	5"/8" <sup>na</sup>	4	1/2	0	48 X 14%	BOROSILICATE	HW1157	+	◦	-	◦	-	-	
D6315ST*1-2	50,000	50,000	11	13.8	5"/8"	3 1/2	2	0	63 1/2 X 14	BOROSILICATE	HW1157	+	◦	-	◦	-	-	
D7215ST*1-2	57,000	57,000	11	13.8	5"/8"	4	1/2	0	73 7/8 X 15 1/2	NEOCERAMIC	HW1157	+	◦	-	◦	-	-	

ΔCan be reduced to 4"7"

## DISTINCTION SINGLE SIDED FRAMING



	A	B	C	D	E	F	G	H	I	J	K
D3615	49 1/16	2 1/4	N/A	59 3/4	17 1/2	10%	40%	24	17 1/8	12 9/16	53 1/16
D4815	49 1/16	2 1/4	N/A	71 1/2	17 1/2	10%	52%	24	17 1/8	12 9/16	53 1/16
D6315	50 3/8	2 1/4	33 1/16	79 1/2	18	8%	66 1/8	24 1/2	16 1/2	13	54 1/8
D7215	59 3/8	2 1/4	41 1/16	95 3/4	18 1/2	10%	76%	33 1/16	17 1/8	12 9/16	63 3/8

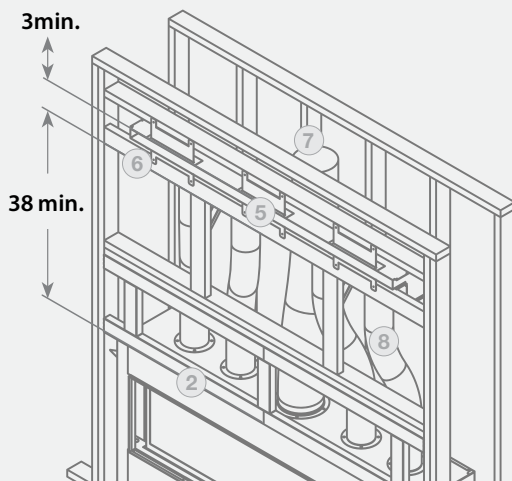


## DISTINCTION ST FRAMING

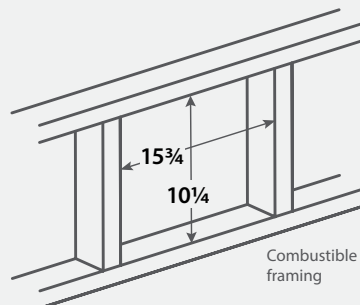
Use single sided framing chart except for dimension "E". this measurement is from edge to edge of the platform.

	E
D3615ST	17 1/16
D4815ST	17 1/16
D6315ST	18 7/8
D7215ST	17 1/16

## COOL WALL ADVANTAGE FRAMING



## COOL WALL ADVANTAGE SIDEWALL FRAMING



Dimensions are the same for both horizontal and vertical sidewall kits

36" size features 2 venting holes

## LEGEND

1	FLOOR STRUCTURE
2	NON-COMBUSTIBLE METAL FRAMING (NOT USED ON 36, 48)
3	FIREPLACE PLATFORM
4	CONCRETE BOARD
5	COOL WALL ADVANTAGE OPENING
6	2X4 ON EDGE
7	MAIN VENT
8	5" VENTING

See through versions include two sets of non combustible framing and concrete board.

36" and 48" version does not include non combustible framing kit

Chase venting is needed for safe operation of the unit, see instruction manual for detailed instructions

Minimum distance from unit base to ceiling is 89"